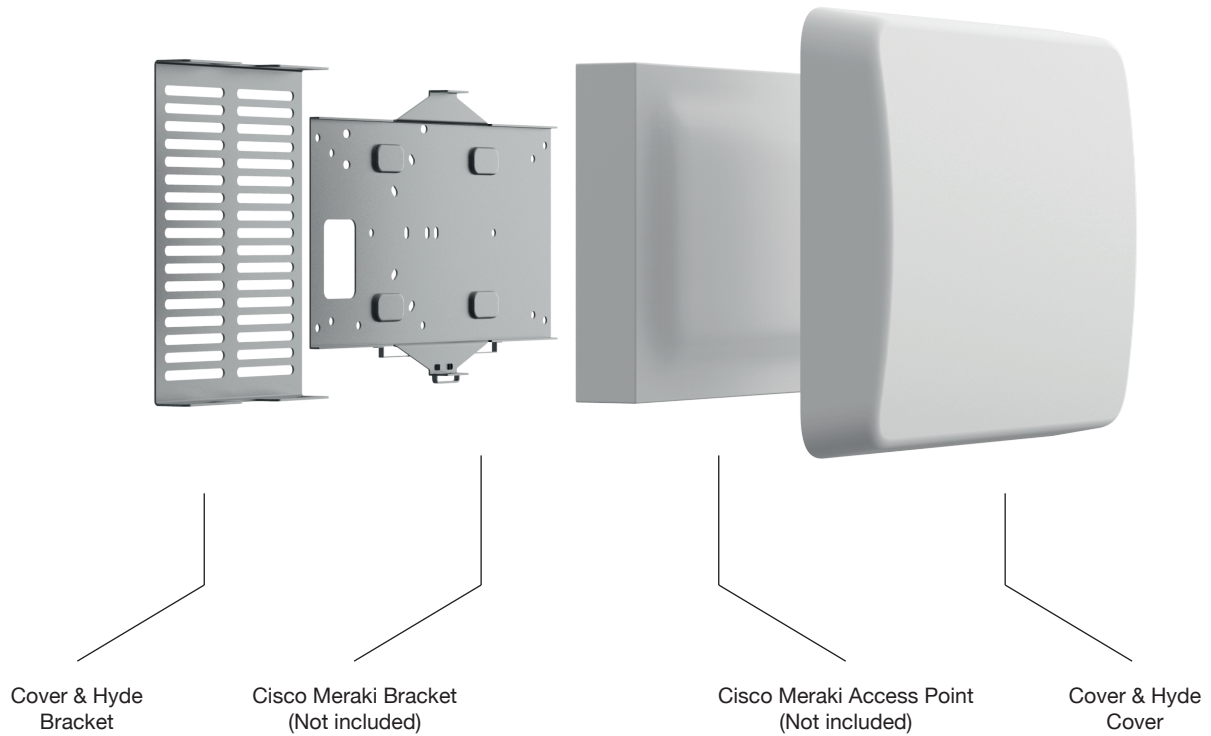


# Cover & Hyde 268.162.38 AP Cover

Cover  
& Hyde™



## Bracket Specifications

<b>Width</b>	130 mm
<b>Height</b>	174 mm
<b>Depth</b>	20 mm
<b>Material</b>	Mild Steel
<b>Finish</b>	Wet Paint (RAL 7030)
<b>Weight</b>	161g

## Cover Specifications

<b>Width</b>	200 mm
<b>Height</b>	290 mm
<b>Depth</b>	40 mm
<b>Material</b>	Polycarbonate
<b>Finish</b>	None
<b>Mounting type</b>	Push Clip
<b>Weight</b>	247g

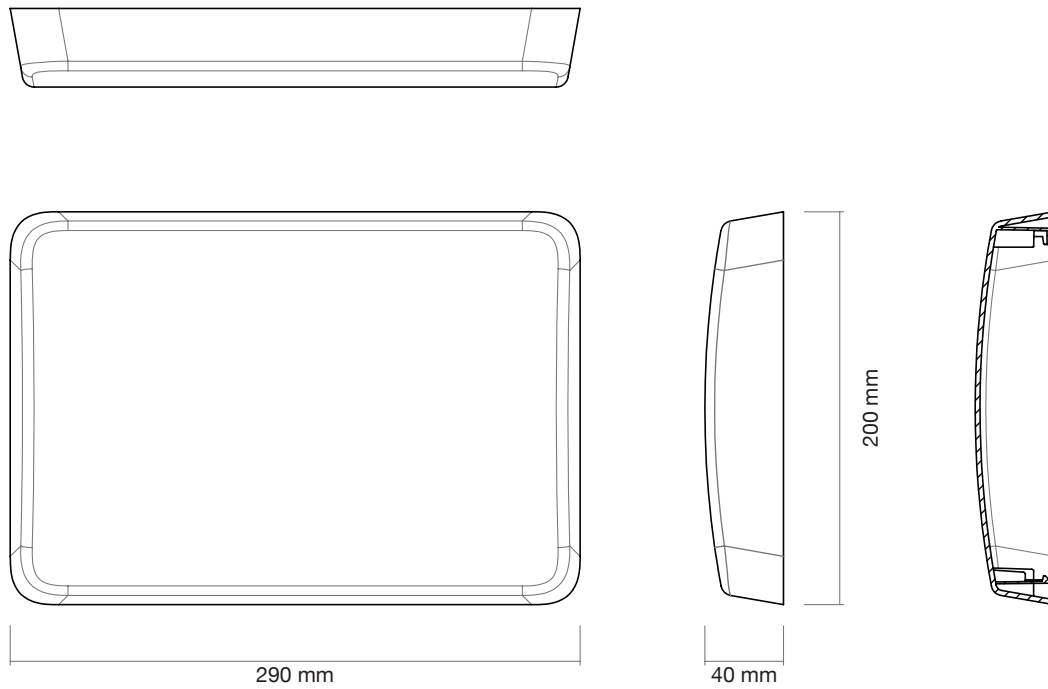
## Included in box

<b>Cover</b>	x1
<b>Bracket</b>	x1
<b>Wall mounting screws with raw plugs</b>	x4
<b>Clear self adhesive polyurethane spacers (1 x 10mm)</b>	x4
<b>Total weight</b>	565g

# Cover & Hyde 268.162.38 AP Cover



## Cover Drawings



## Bracket Drawings

